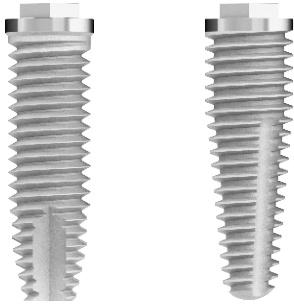
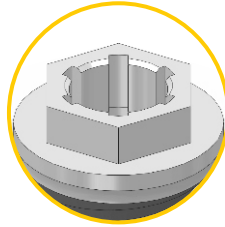


Internal Drive, External Hex implants



IBi

IBTi



	CODE	LENGTHS	Cylindrical or Tapered
Ø3.75	IBi	7 / 8.5 / 10 / 11.5 / 13 / 15 / 18 / 20	C
	IBTi	10 / 11.5 / 13 / 15	T
Ø5.0	BAi	7 / 8.5 / 10 / 11.5 / 13 / 15 / 18	C
	BATi	10 / 11.5 / 13 / 15 / 18	T
Ø6.0	BBBTi	10 / 11.5 / 13 / 15	T

NOTE: Corresponding diameter drill protocols and prosthetic flowcharts must be followed as per standard External Hex implants. Refer to CAT-2020.

Placement tools

HANDPIECE with W&H hex



I-HID-S
(Short)

I-HID-M
(Medium)

I-HID-L
(Long)

UNIVERSAL HANDPIECE



I-HIDU-S
(Short)

I-HIDU-M
(Medium)

I-HIDU-L
(Long)

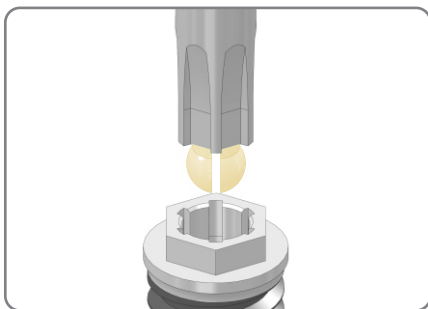
WRENCH INSERT



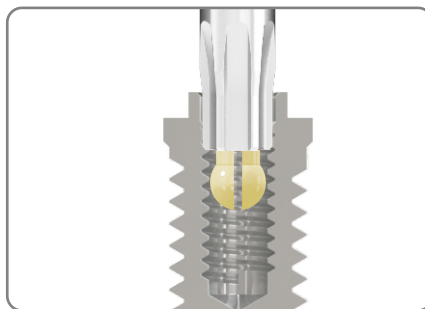
I-WIID-S
(Short)

I-WIID-L
(Long)

Important: The PEEK bits (I-PBIT-H) should be replaced on a regular basis. General wear & tear are to be expected with regular use (items sold separately).



Align driver to engage with the spline of the implant.



Plastic nib engages internal threads to provide retention.

Images are for illustration purposes only and do not necessarily accurately represent the product. Not all products are cleared for sale in all countries.

SOUTHERNIMPLANTS.COM