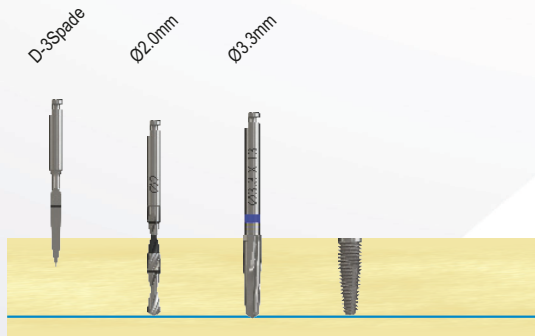


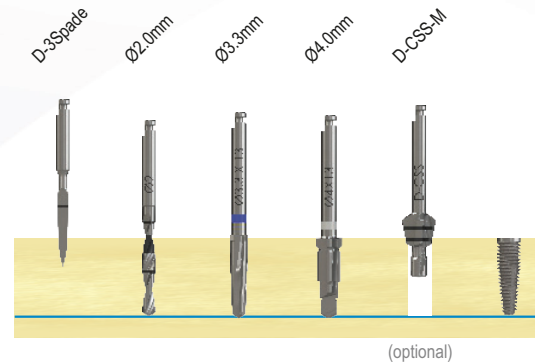
PROVATA™ 04.0mm and 05.0mm Tapered Implants - Drill Sequence

Tapered (PRO4 / MSc-PRO4)

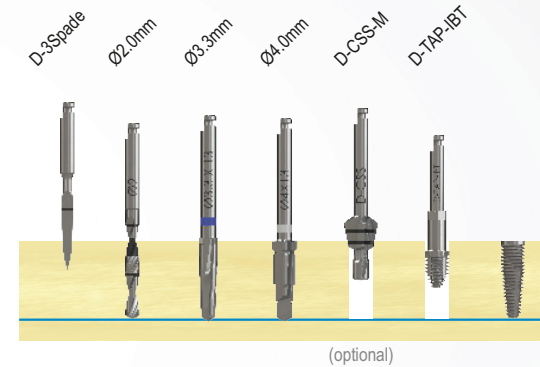
Soft Bone



Medium Bone

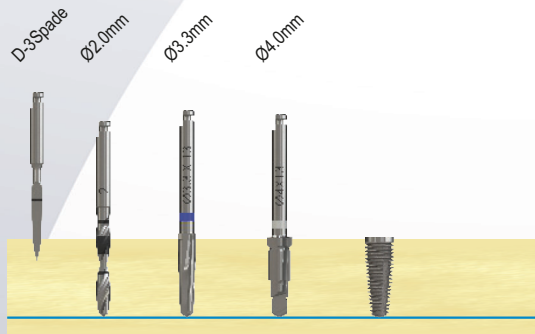


Dense Bone

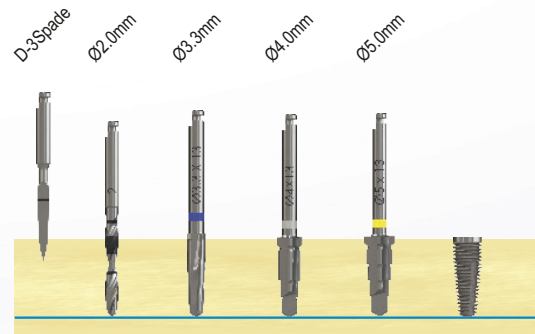


Tapered (PRO5 / MSc-PRO5)

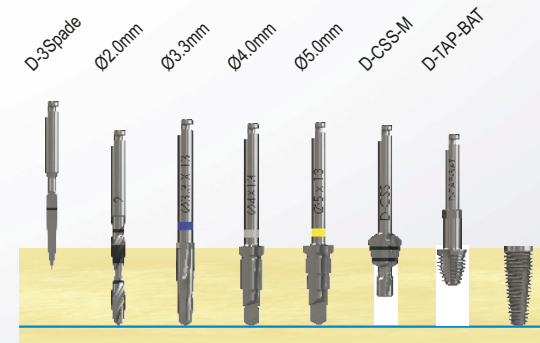
Soft Bone



Medium Bone



Dense Bone



NOTE: Site preparation Sequence recommended by Southern Implants does not replace the judgement and experience of the surgeon. (illustration is for 13mm implants).