

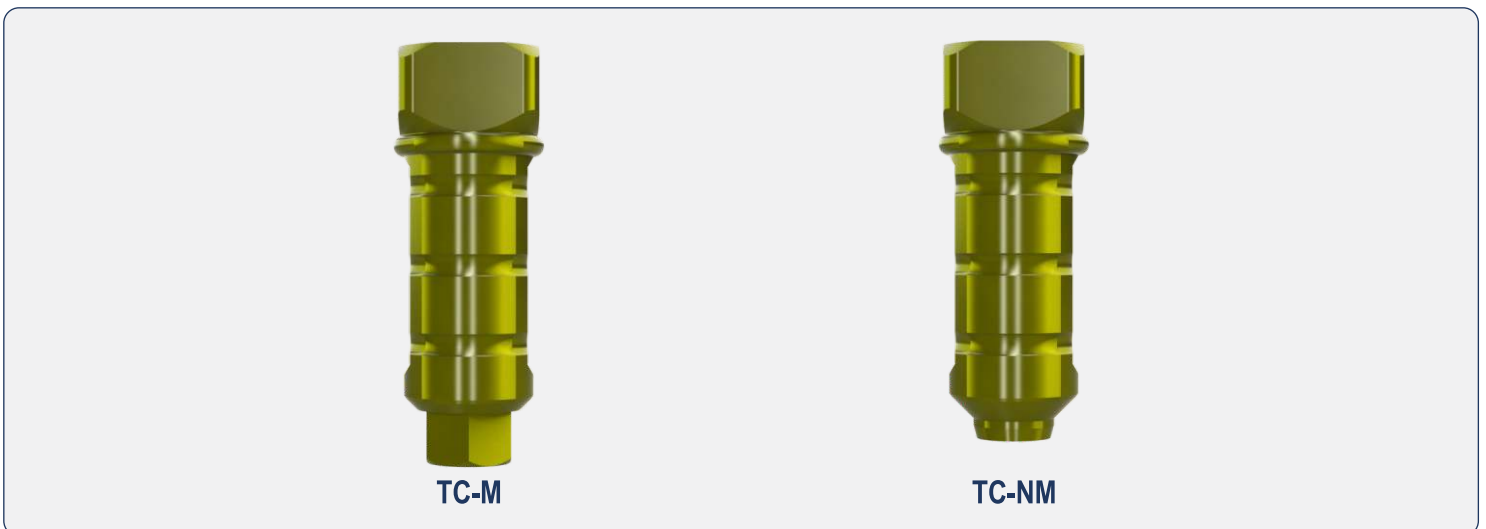
Since the launch of the M-Series (internal hex) implant range, we have received more user feedback on the system. One outcome of this feedback is a new dedicated impression coping.

The new impression copings are available in a standard and wide diameter. To tell them apart from the previous design, the new items will be silver instead of gold. They will be packaged with the impression screw (as with the previous version) and will keep the same product codes.



Impression Copings

The previous ICT-M and ICT-NM will still be available, but under new product codes, **TC-M** (titanium cylinder / fixture mount, engaging) and **TC-NM** (titanium cylinder, non-engaging). They will no longer be packaged with an impression screw. These items will remain gold in colour for aesthetic purposes. Their indications for use as a titanium cylinder / fixture mount, will remain the same.



Titanium Cylinders

Images are for illustration purposes only and do not necessarily accurately represent the product.

International distribution contact details are on our website
www.southernimplants.com