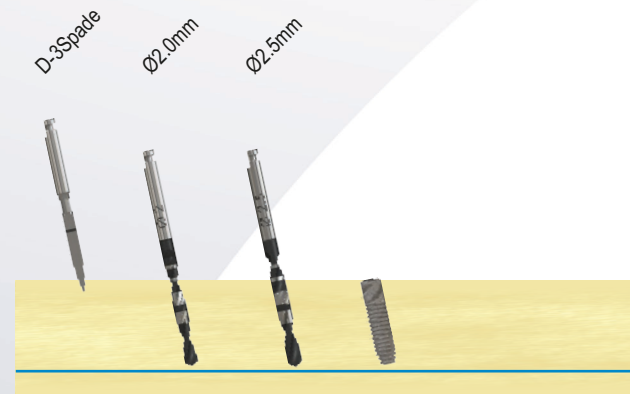


Deep Conical (DC) 03.5mm Parallel Walled Co-Axis® 12d Implants - Drill Sequence

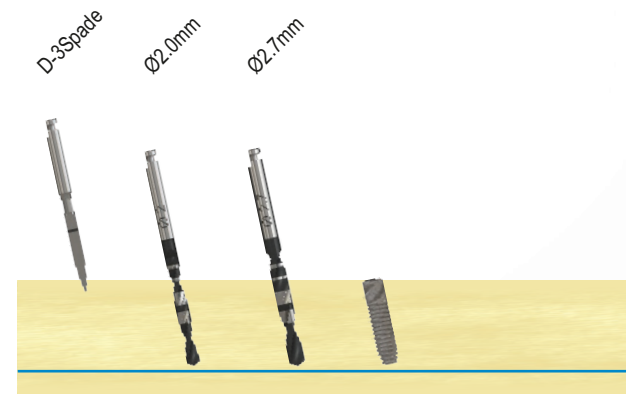
Ø3.5mm Parallel Walled (DCC35-12d Co-Axis)



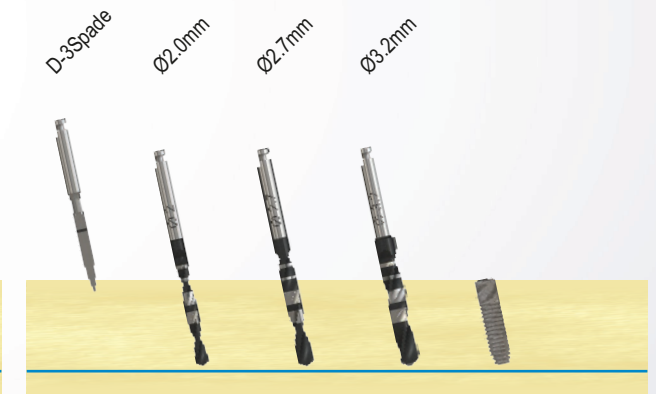
Soft Bone



Medium Bone



Dense Bone



NOTE: Site preparation Sequence recommended by Southern Implants does not replace the judgement and experience of the surgeon.